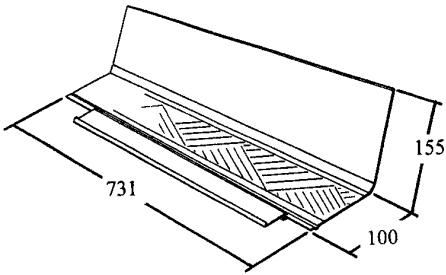
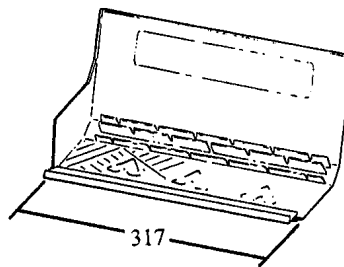


BRICKWORK CAVITY TRAY DIMENSIONS

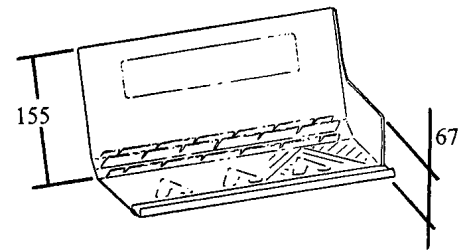
GW290 APEX TRAY



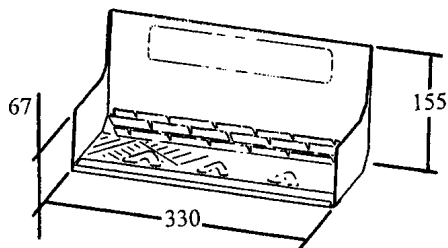
GW291 RH INTERMEDIATE TRAY



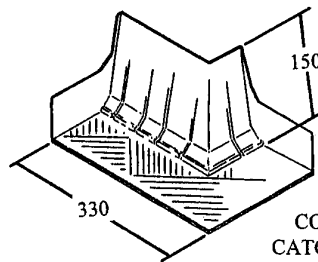
GW292 LH INTERMEDIATE TRAY



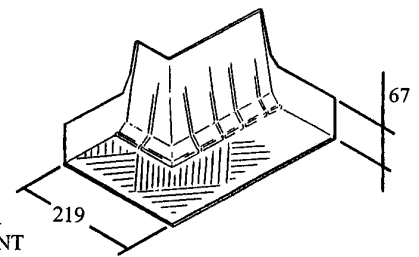
GW293 CATCHMENT TRAY



GW293CC RH

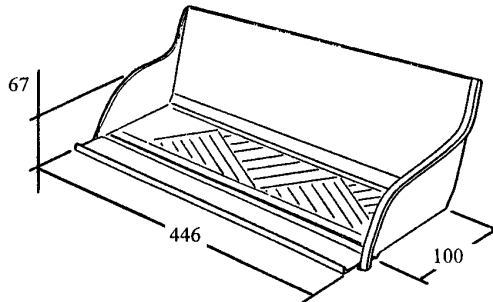


GW293CC LH

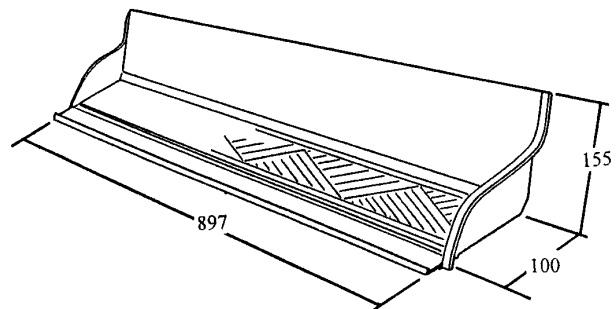


CORNER
CATCHMENT
TRAY'S

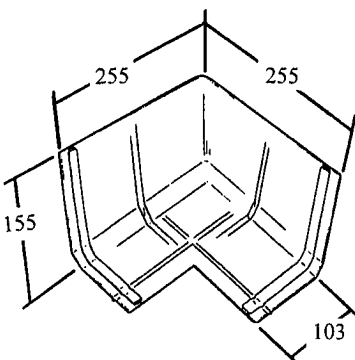
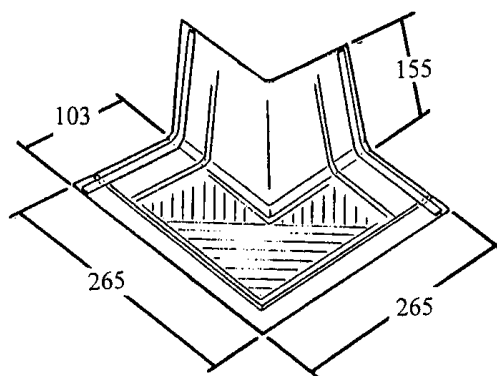
GW294 REFURB / SHORT HORIZONTAL TRAY



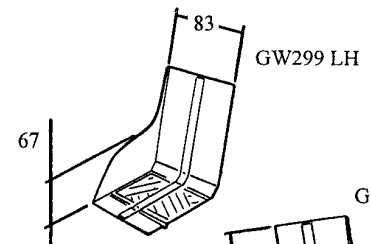
GW295 HORIZONTAL TRAY



GW297 EXTERNAL CORNER

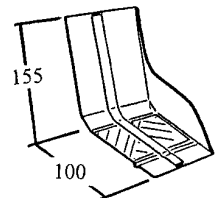


GW296 INTERNAL CORNER



GW299 LH

STOP
END'S



GW298RH

ALL DIMENSIONS IN mm

MANTHORPE BUILDING PRODUCTS LTD
MANTHORPE HOUSE
BRITAIN DRIVE
CODNOR GATE BUSINESS PARK
RIPLEY
DERBYSHIRE DE5 3ND

TEL: 01773 514 200
FAX: 01773 514 262
EMAIL:
sales@manthorpe.co.uk
WEB:
www.manthorpe.co.uk

DRN M.A

Date 01.08.03

DRG No

Issue

The company maintains a policy of continuous development of its product range and reserves the right to amend the specification without notice.

MBP 8043

A